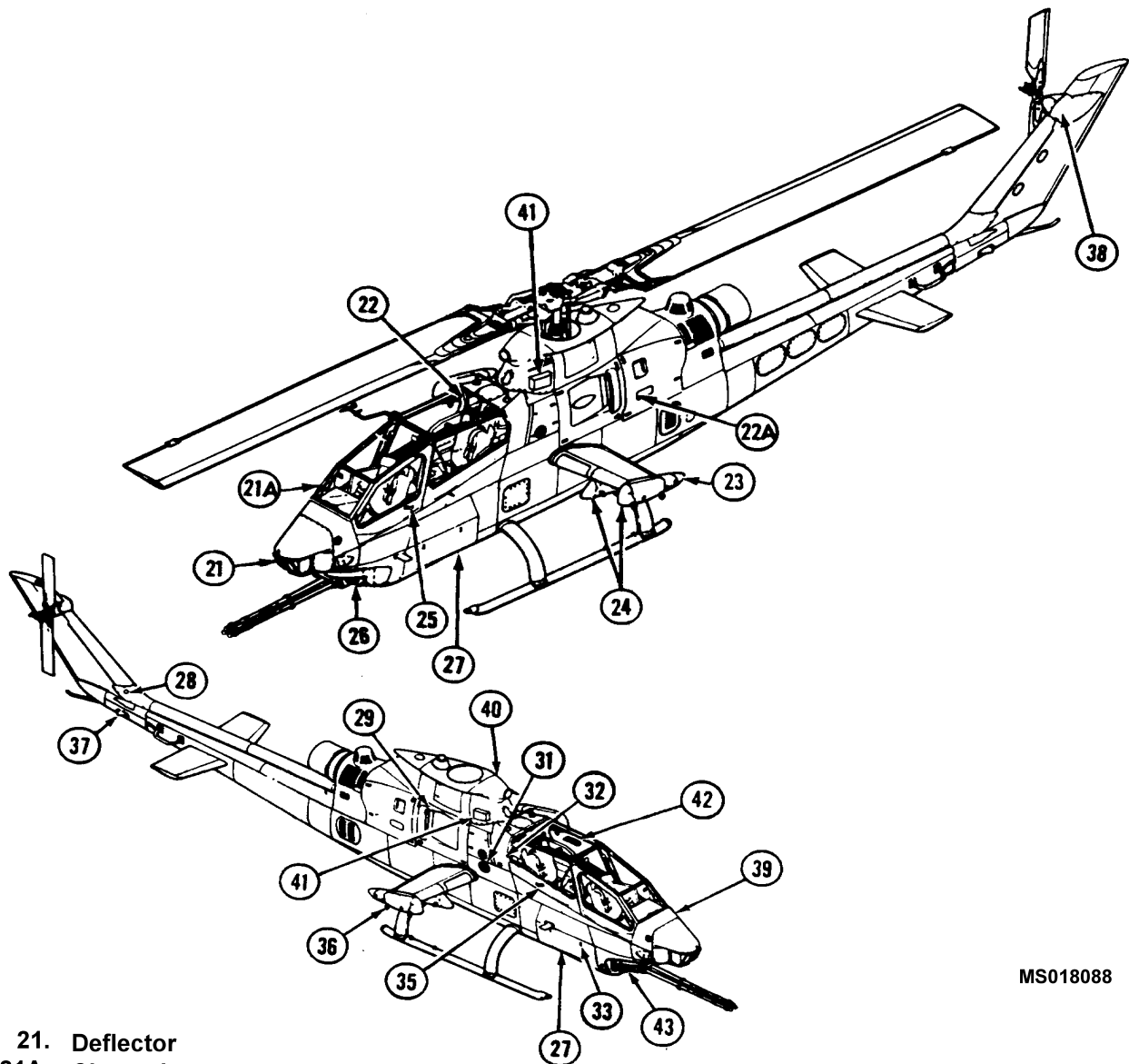


MS018087

Figure 2-1. General Arrangement (Typical) (Sheet 1 of 2)



MS018088

- | | |
|---|--|
| <ul style="list-style-type: none"> 21. Deflector 21A. Channel 22. Upper cutter assembly 22A. Engine inlet shields 23. Left wing position light (red) 24. Pylons 25. Gunner door latch 26. Turret 27. Searchlight 28. 42 degree gearbox oil sight glass 29. Engine air inlet-right: (left opposite) 30. Deleted 31. Fuel filler cap | <ul style="list-style-type: none"> 32. Ground receptacle 33. Right static port (left opposite) 34. Deleted 35. Pilot door latch 36. Right wing position light (green) 37. Right tail position light (white) (left opposite) 38. 90 Degree gearbox oil sight glass 39. Countermeasures set, transmit ant. 40. Countermeasures set, receive ant. 41. Laser detecting set, sensor unit 42. GPS receive ant. 43. AIM-1/EXL laser |
|---|--|

Figure 2-1. General Arrangement (Typical) (Sheet 2 of 2)